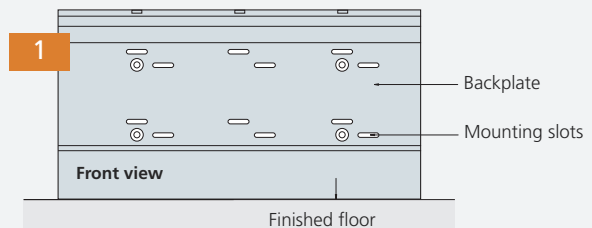




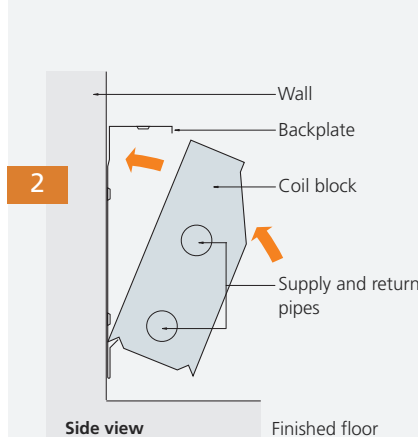
A natural convector easily fitted at skirting level – the ideal form of perimeter heating, providing gentle low-level warmth anywhere from conservatories to waiting rooms.



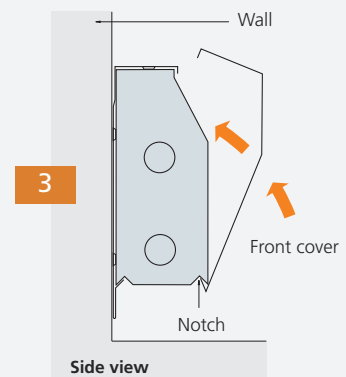
Installs in a 'snap'





Mount Backplate - fasten to wall through mounting slots provided (20 per metre). Minimum clearance above floor - 50mm.

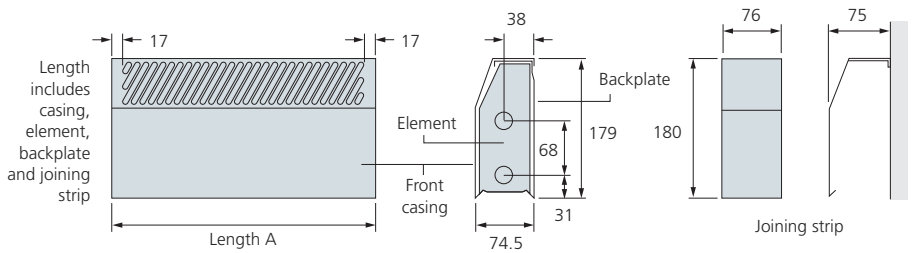


'Snap' in Coil Block - engage back notch onto lower lip of the Backplate and pivot the Coil Block towards the wall until it 'Snaps' into place.



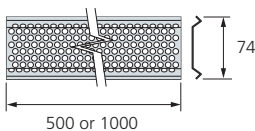
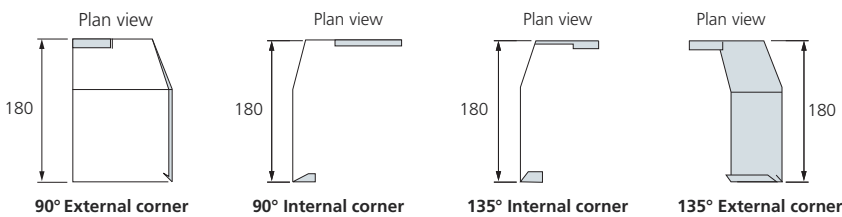
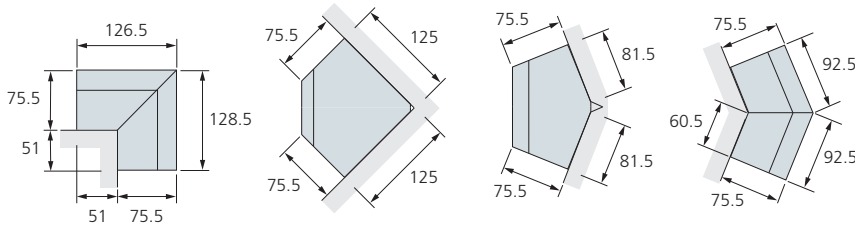
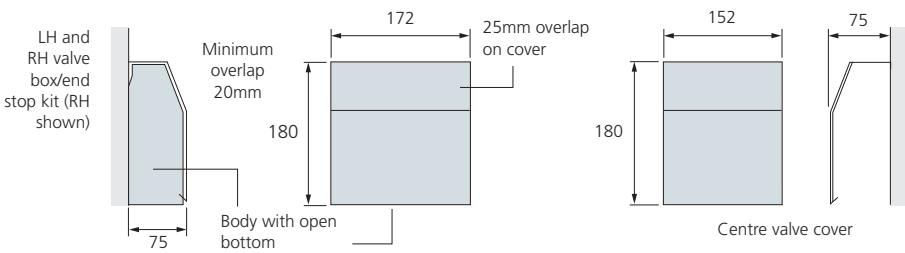
'Snap' on Cover - after pipe connections are completed, place lower lip of cover into front notch in the Coil Block and pivot towards the wall until it 'Snaps' over the Backplate.

		Heat Output							
		Flow Rate (m/s)	W/m (Btu/h/m) @ average water temperature						
			50°C	55°C	60°C	65°C	70°C	75°C	80°C
	Two supplies - Parallel	1.0	270 (930)	370 (1250)	470 (1590)	550 (1870)	650 (2200)	750 (2550)	850 (2890)
	Bottom supply - Top return	1.0	260 (880)	350 (1190)	440 (1490)	510 (1730)	570 (1950)	680 (2330)	750 (2560)



Model	Length A (mm)
Sureline 500	500
Sureline 1000	1000
Sureline 1500	1500
Sureline 2000	2000
Sureline 1000C*	1000

* casing only



Finger guard

All dimensions in mm

Finish

Outer casing 0.7mm zinc coated steel. Polyester powder-coated. Paint specification: textured white BS 4800 00A01 18% gloss. Each length includes casing, element, backplate and joining strip. Casing only includes casing, backplate and joining strip.

Installation

- Minimum clearance above floor 50mm
- Flow and return connections 22mm copper
- Designed for system pressures up to 10 bar
- Suitable for two pipe central heating systems only

Attachments

- 1000mm casing only (includes backplate)
- LH and RH valve box/end stop kit (includes casing with integral end stop and knock-out for thermostatic valves)
- Centre valve cover
- 90° internal corner
- 90° external corner
- 135° internal corner
- 135° external corner
- Finger guard*

Customised Requirements

We are able to offer casings painted in any colour. Price and availability will be confirmed at the time of order.

*We recommended the use of finger guards in installations where infants have access to the underside of Sureline.