



A floor or wall-mounted low surface temperature fan convector specially developed for a diversity of applications in commercial installations – ideal for meeting the heating requirements of larger areas. Finished in clean and bright eggshell white – other colours available to order. Rapid response heating and the option of room temperature control makes Caspian the perfect method of heating for buildings such as schools, care homes, libraries, offices, hospitals, etc. The ability to generate heat efficiently from lower temperature heating systems maximises Caspian’s renewable technology credentials.



Independent tests\* show that fan convectors are at least 24% more energy efficient than a panel radiator in heating up a room.

\*Tests carried out by BSRIA (Building Services Research and Information Association) in August 2008

## Caspian Heat Output Data

| Model           | Heat Output     |                   |                | Noise Rating (NR) |              |           | Casing Colour | Fan-Only |
|-----------------|-----------------|-------------------|----------------|-------------------|--------------|-----------|---------------|----------|
|                 | High kW (Btu/h) | Medium kW (Btu/h) | Low kW (Btu/h) | High (dBA)        | Medium (dBA) | Low (dBA) |               |          |
| <b>Hydronic</b> |                 |                   |                |                   |              |           |               |          |
| Caspian 60/03   | 3.4 (12000)     | 3.2 (11000)       | 2.9 (10000)    | 40                | 37           | 34        | White         | n/a      |
| Caspian 60/04   | 4.6 (16000)     | 4.1 (14000)       | 3.6 (12000)    | 38                | 35           | 32        | White         | n/a      |
| Caspian 90/06   | 6.7 (23000)     | 6.2 (21000)       | 5.6 (19000)    | 43                | 40           | 37        | White         | n/a      |
| Caspian 90/07   | 7.8 (27000)     | 7.0 (24000)       | 6.2 (21000)    | 42                | 40           | 37        | White         | n/a      |
| Caspian 120/10  | 11.4 (39000)    | 10.4 (35000)      | 8.6 (29000)    | 44                | 42           | 37        | White         | n/a      |
| Caspian 120/11  | 12.2 (42000)    | 11.4 (39000)      | 9.5 (32000)    | 46                | 44           | 39        | White         | n/a      |
| Caspian 120/12  | 13.1 (45000)    | 12.2 (42000)      | 10.4 (35000)   | 48                | 46           | 42        | White         | n/a      |

75°C inlet water temperature, 18°C entering air temperature. Heat outputs tested in accordance with BS 4856. Sound levels measured at 1.5m.

## Correction Factors - Caspian 60, 90 and 120 Range

| EAT °C | Mean Water Temperature °C |      |      |
|--------|---------------------------|------|------|
|        | 65                        | 70   | 75   |
| 15     | 0.85                      | 0.95 | 1.05 |
| 18     | 0.79                      | 0.89 | 1.00 |
| 21     | 0.74                      | 0.84 | 0.95 |

| Model           | Flow & Return Connections | Mains Cable | Transformer | Flexible Hoses | Isolating Valves | Fused Spur | Power Consumption |              |            | Water Capacity (Litres) |
|-----------------|---------------------------|-------------|-------------|----------------|------------------|------------|-------------------|--------------|------------|-------------------------|
|                 |                           |             |             |                |                  |            | Low Watts         | Medium Watts | High Watts |                         |
| <b>Hydronic</b> |                           |             |             |                |                  |            |                   |              |            |                         |
| Caspian 60/03   | 22mm                      | 1.5m        | n/a         | n/a            | n/a              | 3A         | 29                | 36           | 51         | 0.28                    |
| Caspian 60/04   | 22mm                      | 1.5m        | n/a         | n/a            | n/a              | 3A         | 29                | 36           | 51         | 0.32                    |
| Caspian 90/06   | 22mm                      | 1.5m        | n/a         | n/a            | n/a              | 3A         | 53                | 60           | 98         | 0.52                    |
| Caspian 90/07   | 22mm                      | 1.5m        | n/a         | n/a            | n/a              | 3A         | 53                | 60           | 98         | 1.04                    |
| Caspian 120/10  | 22mm                      | 1.5m        | n/a         | n/a            | n/a              | 3A         | 53                | 99           | 114        | 0.28                    |
| Caspian 120/11  | 22mm                      | 1.5m        | n/a         | n/a            | n/a              | 3A         | 60                | 114          | 135        | 0.32                    |
| Caspian 120/12  | 22mm                      | 1.5m        | n/a         | n/a            | n/a              | 3A         | 99                | 135          | 151        | 0.52                    |

### Finish

Casing: zinc coated steel 1.2mm. Polyester powder-coated: textured white BS 4800 00A01 18% gloss.

### Installation

- Suitable to two-pipe central heating systems
- Mount on the floor with fixings to the wall
- pipe work access holes on the rear and underside
- Coin operated front access panel
- Bleed valve accessible on removal of front casing
- Tamperproof control panel
- Unit must be earthed

### Commissioning

Check water is hot enough to active the low temperature cut-out thermostat.

### Controls

Rocker switch - low/medium/high.

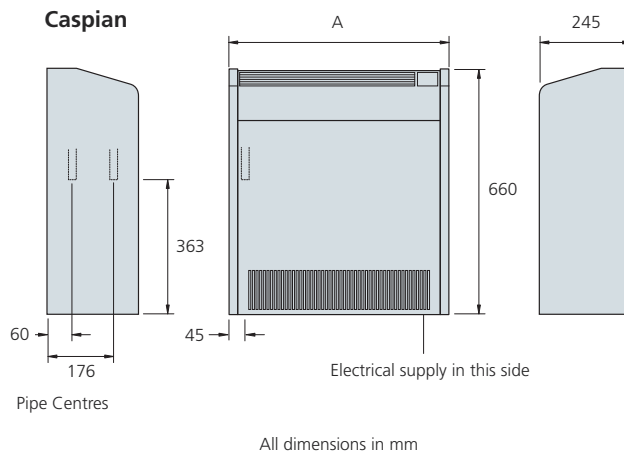
Illuminated rocker switch - on/off.

Facility to connect room thermostat.

Low temperature cut-out thermostat set to energise fan at approx. 42°C (108°F).

### Accessories

Wall mounted room thermostat.



| Model | A    |
|-------|------|
| 60    | 595  |
| 90    | 895  |
| 120   | 1195 |